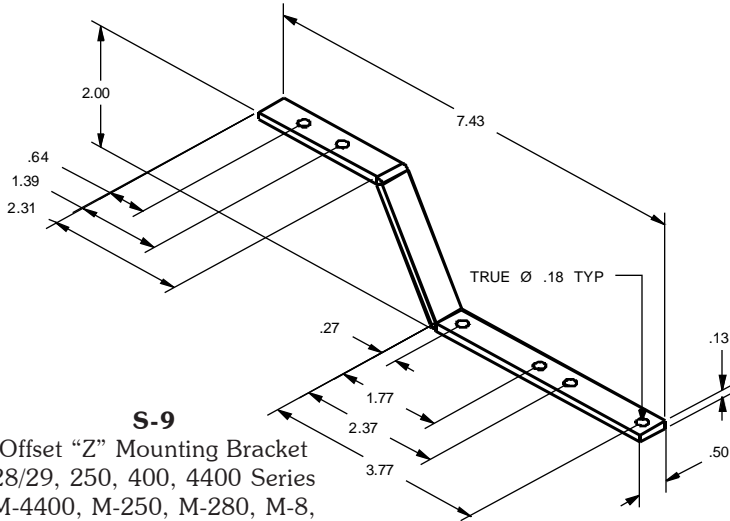
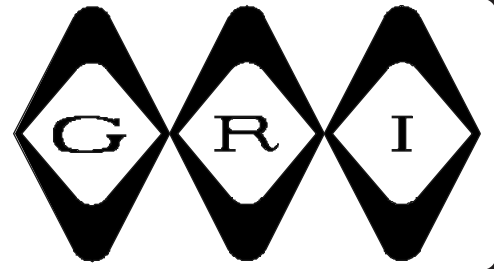
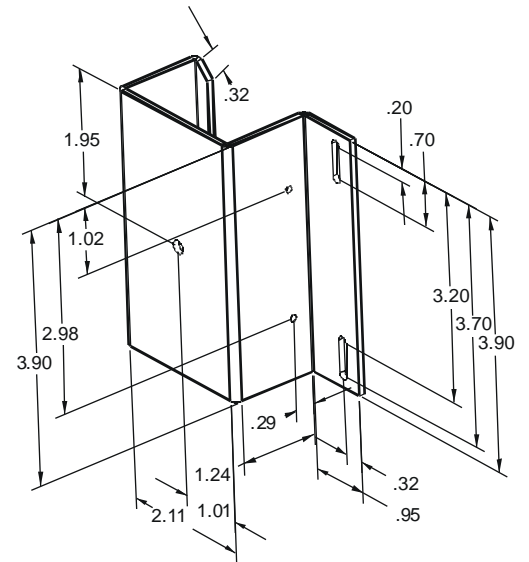


BRACKETS



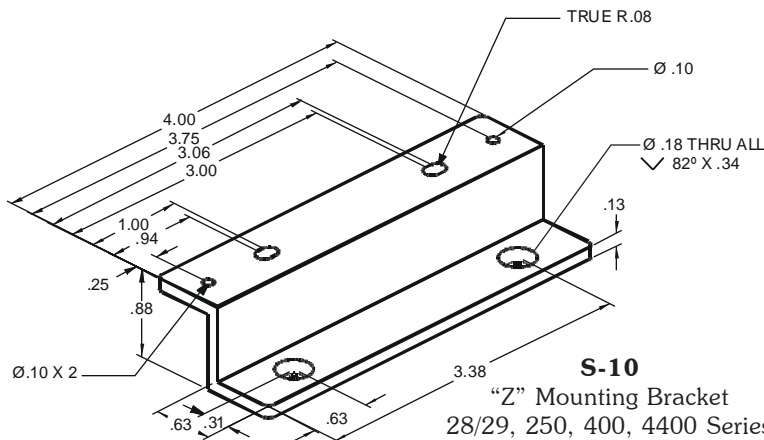
S-9

Offset "Z" Mounting Bracket
28/29, 250, 400, 4400 Series
M-4400, M-250, M-280, M-8,
M-14, M-15, M-20, M-401, M-402



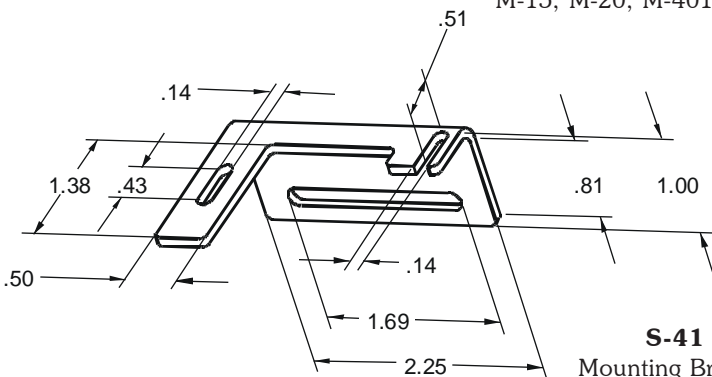
S-200

Garage Door Track Bracket
400 Series
M-401, M-402, M-15, M-20



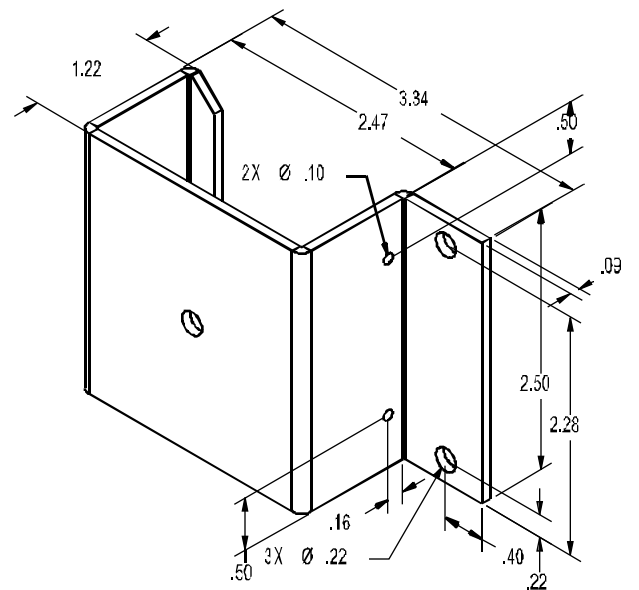
S-10

"Z" Mounting Bracket
28/29, 250, 400, 4400 Series
M-4400, M-250, M-280, M-8, M-14
M-15, M-20, M-401, M-402



S-41

Mounting Bracket
4110, 4110A, 4112, 4112A



S-203

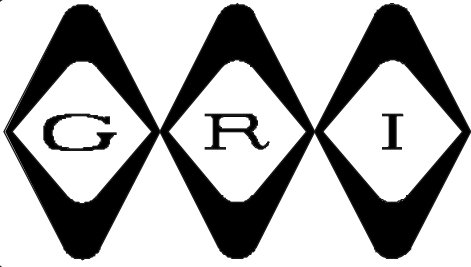
Garage Door Track Bracket
250, 4400 Series, M-4400,
M-250, M-280, M-8, M-14

GEORGERISK INDUSTRIES, INC.
G.R.I. PLAZA
KIMBALL, NE 69145

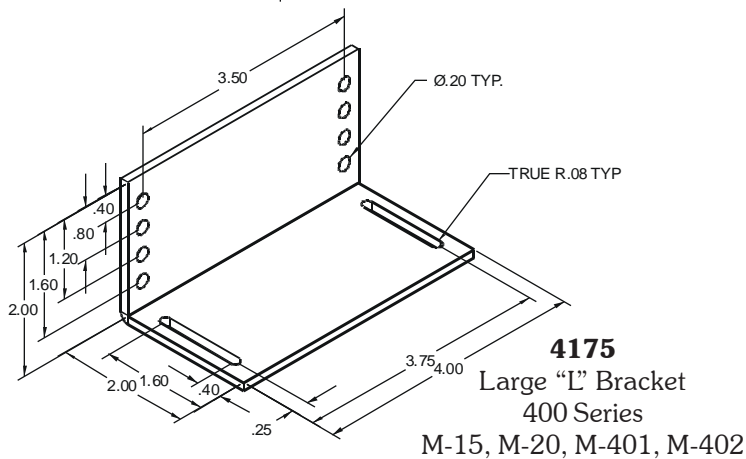
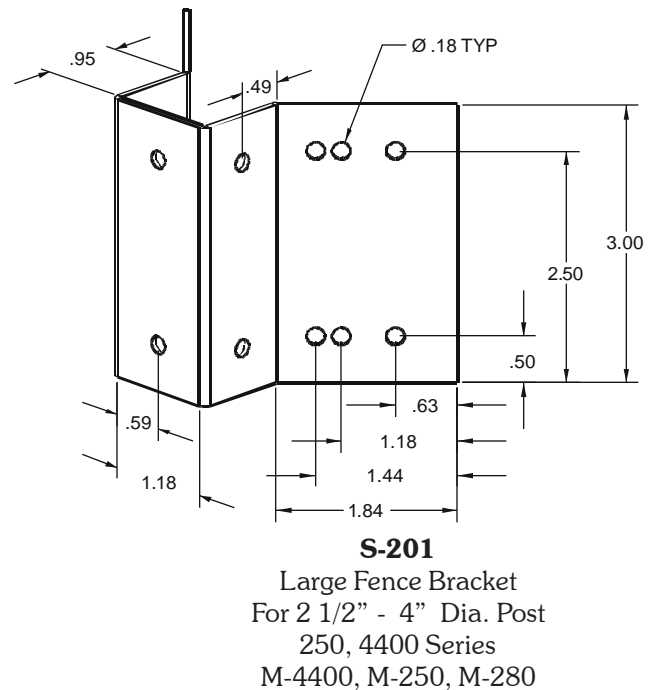
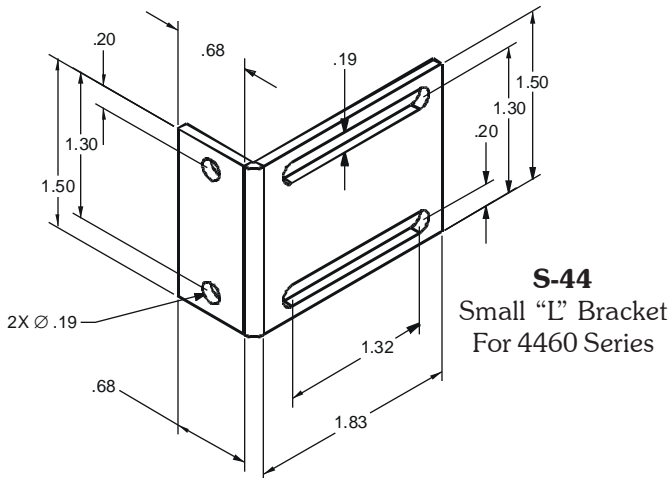
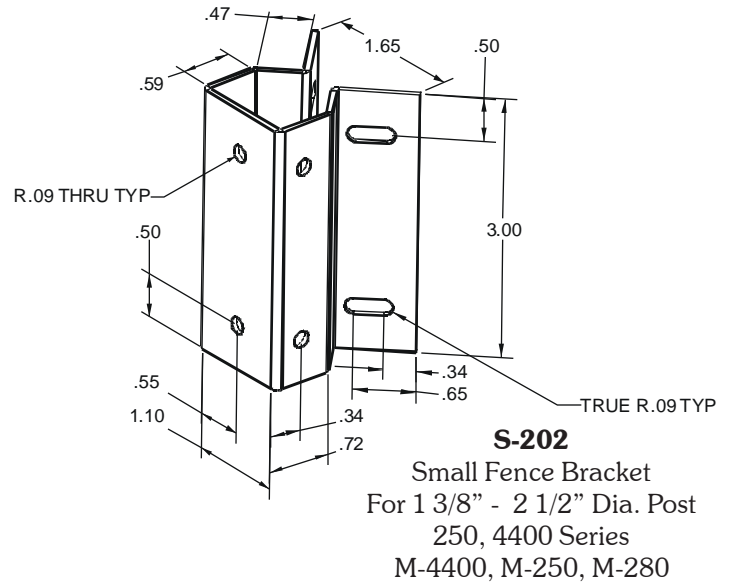
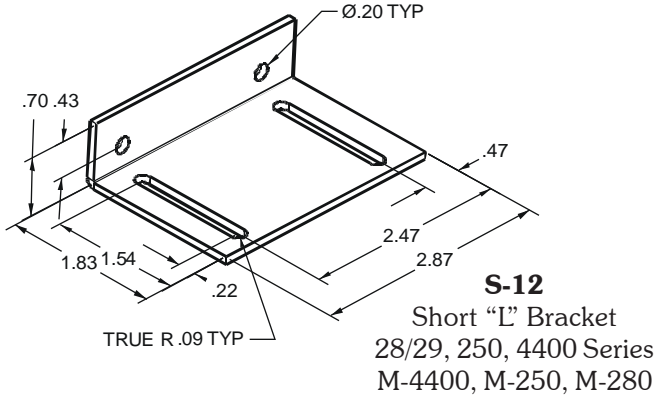


MADE IN U.S.A.

TOLL-FREE 1-800-445-5218 • 1-800-523-1227
(308) 235-4645 • FAX (308) 235-3561
E-MAIL: grisales@megavision.com
WEB SITE: www.grisk.com



BRACKETS



CONTACT YOUR G.R.I. DISTRIBUTOR OR CALL:

GEORGE RISK INDUSTRIES, INC.
G.R.I. PLAZA
KIMBALL, NE 69145



MADE IN U.S.A.

TOLL-FREE 1-800-445-5218
TOLL-FREE 1-800-523-1227
(308) 235-4645
FAX (308) 235-3561

E-MAIL: grisales@megavision.com
WEB SITE: www.grisk.com