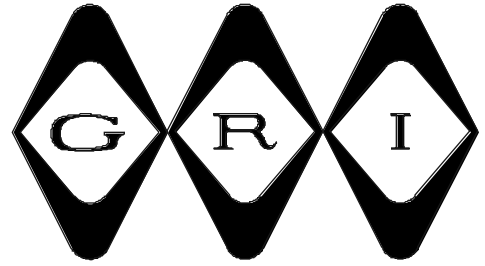


RECESSED 1/2" SWITCH SET



150 SERIES

- ◆ Designed For Hollow Core Doors & Windows
 - ◆ Hole Size Allows For Extra Wire, etc.
 - ◆ Up To One Inch Standard Gap
 - ◆ Installs Firmly In Wood, Vinyl And Aluminum
- ◆ Recessed Magnetic Contact ◆ Press or Snap Fit ◆ 12" #22AWG Leads
 - ◆ Longer Leads, Zip Cord or Jacketed Cable Upon Request
- ◆ Hermetically Sealed ◆ Plated Contacts Resist Sticking or Freezing
 - ◆ Built-in E.O.L. Resistors and Diodes Upon Request
 - ◆ Supervisory Loops Upon Request
 - ◆ Switches and Magnets Available Separately
 - ◆ Color: White & Brown ◆ Lifetime Warranty



150-12



150-T

PART NUMBERS

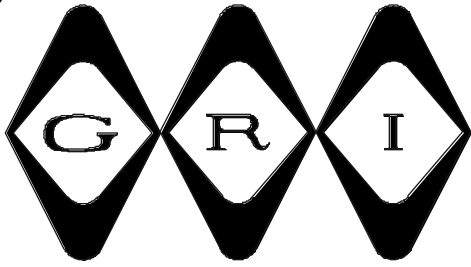
	Closed Loop	Open Loop	SPDT	DPDT
Standard Gap Up To 1"	150-12	160-12	170-12	175-12
Standard Gap Up To 1"	150-T			
Wide Gap Up To 1 1/4"	150-12WG	160-12WG	170-12WG	
Wide Gap Up To 1 1/4"	150-TWG			
Standard Gap 5/8" +	150MF-12	160MF-12	170MF-12	
Wide Gap 1" +	150MF-12WG	160MF-12WG	170MF-12WG	

GEORGE RISK INDUSTRIES, INC.
G.R.I. PLAZA
KIMBALL, NE 69145



MADE IN U.S.A.

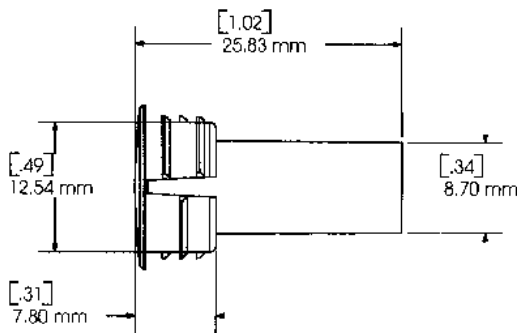
TOLL-FREE 1-800-445-5218
TOLL-FREE 1-800-523-1227
(308) 235-4645 • FAX (308) 235-3561
E-MAIL: grisales@megavision.com
WEB SITE: www.grisk.com



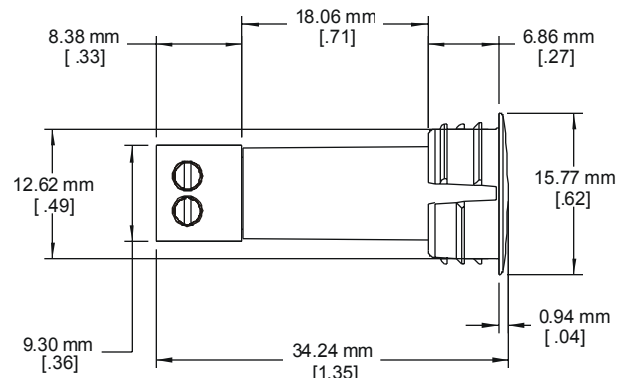
RECESSED 1/2" SWITCH SET

Larger than 3/8" but smaller than 3/4", G.R.I. introduces their newest innovative switch design, the one-half inch diameter, flush mount, 150-12. This new design is in response to requests from our customers for a switch that would give them additional "working room" for extra wire, E.O.L. resistors, etc., yet would more readily install in the increasingly popular hollow core windows. The G.R.I. 150-12 is a 1/2" diameter contact, manufactured from a special polyvinyl material with a unique collar design that will "press-fit" into wooden or vinyl clad windows with a "snap-in" fit for hollow core vinyl or aluminum windows.

The G.R.I. 150-12 is paired with a matching 1/2" magnet case to offer the installer up to a 1" gap. The 150 switch can also be paired with any of the wide selection of G.R.I. magnets to help resolve difficult installation applications, such as our MF-875. Patent Pending.



150-12



150-T

Minimum General Specifications:

PART NUMBER	LOOP TYPE	SWITCH ELECTRICAL CONFIG.	REED FORM	MAXIMUM INITIAL CONTACT RESISTANCE (Ω)	MAXIMUM CONTACT RATING (W)	MAXIMUM SWITCHING VOLTAGE (VDC/VAC)	MAXIMUM SWITCHING CURRENT (A)
150-12	CLOSED	N/O	A	.150	10	200/140	.500
150-T	CLOSED	N/O	A	.150	10	200/140	.500
150-12WG	CLOSED	N/O	A	.150	10	200/140	.400
150-TWG	CLOSED	N/O	A	.150	10	200/140	.400
150MF-12	CLOSED	N/O	A	.150	10	200/140	.500
150MF-12WG	CLOSED	N/O	A	.150	10	200/140	.400
160-12	OPEN	N/C	B	.140	5	175VDC	.250
160-12WG	OPEN	N/C	B	.140	5	175VDC	.250
160MF-12	OPEN	N/C	B	.140	5	175VDC	.250
160MF-12WG	OPEN	N/C	B	.140	5	175VDC	.250
170-12	OPEN/CLOSED	SPDT	C	.140	5	175VDC	.250
170-12WG	OPEN/CLOSED	SPDT	C	.140	5	175VDC	.250
170MF-12	OPEN/CLOSED	SPDT	C	.140	5	175VDC	.250
170MF-12WG	OPEN/CLOSED	SPDT	C	.140	5	175VDC	.250
175-12	OPEN/CLOSED	DPDT	CX2	.140	5	175VDC	.250

WARRANTY:

Lifetime warranty against workmanship, material and factory defects

Contact your GRI Distributor or call:

GEORGE RISK INDUSTRIES, INC.
GRI PLAZA
KIMBALL, NE 69145



MADE IN U.S.A.

TOLL-FREE 1-800-445-5218
TOLL-FREE 1-800-523-1227
(308) 235-4645 • FAX (308) 235-3561
E-MAIL: grisales@megavision.com
WEB SITE: www.grisk.com