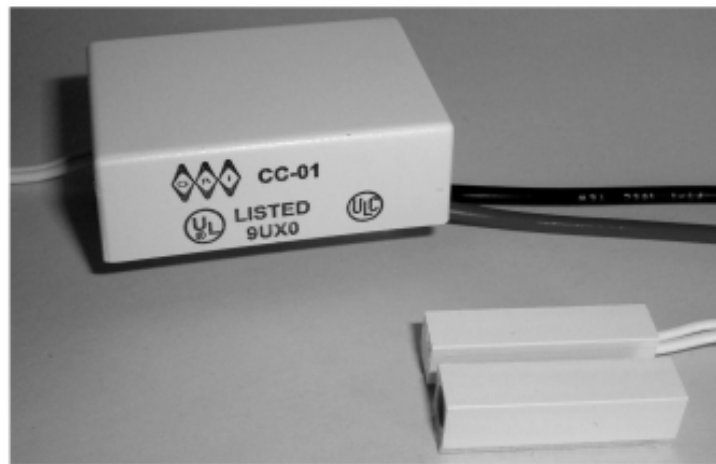


# CURRENT CONTROLLER



**CC-01**  

- ◆ U.L. & U.L.C. Listed
- ◆ Designed For Lamp Switching
- ◆ Use For Walk-in Closets, Pantries, And Cabinets
- ◆ Automatic AC Voltage Switching System
- ◆ Monitors The State Of A Low Voltage Switch Connected To The Door



**CC-01**  
**1.85" x 1.25"**

The GRI Current Controller is an encapsulated circuit with connecting wires to AC power, a light fixture and door monitor switch. A microprocessor circuit is safely isolated from the 120 volts AC. This control signal through the door switch will control the AC power to the light fixture. The GRI Current Controller is designed to fit into an electrical junction box along with the connecting wires.

**NOTE: Open Loop Switch required. GRI 60-12 included. Also available with recessed switch: CC-01-3030-T, CC-01-RB-02, or with no switch CC-01 NS, call factory for other options.**

#### **SPECIFICATIONS:**

Maximum Input Voltage	125 VAC
Maximum Output Current	1 A
Maximum Output Power	125 VA
Recommended Output Load	60 VA
Door Switch Voltage	3 VDC
Door Switch Current	3 uA

GEORGE RISK INDUSTRIES, INC.  
G.R.I. PLAZA  
KIMBALL, NE 69145



TOLL-FREE 1-800-445-5218  
TOLL-FREE 1-800-523-1227  
(308) 235-4645  
FAX (308) 235-3561  
E-MAIL: [grisales@megavision.com](mailto:grisales@megavision.com)  
WEB SITE: [www.grisk.com](http://www.grisk.com)



# CURRENT CONTROLLER

## INSTALLATION:

### A) Installing the Door Sensor

**NOTE:** Open Loop Switch Required (included). Install the switch on the door, according to the manufacturer's installation instructions. Run wires from the door switch to the electrical junction box.

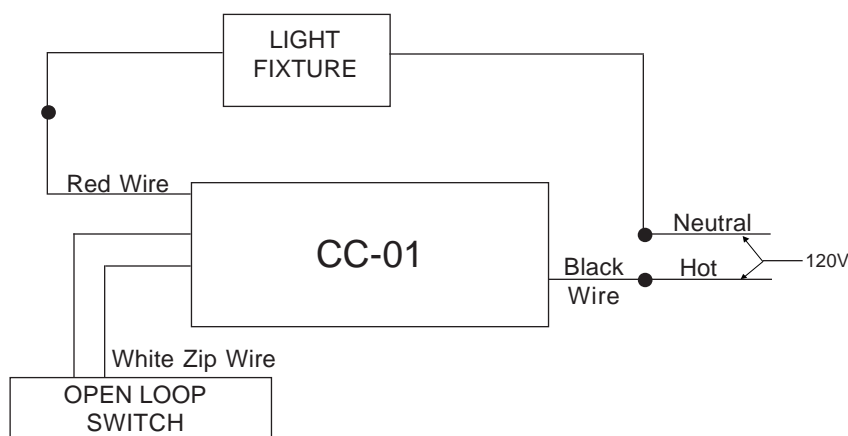
### B) Installing the GRI Current Controller

**NOTE:** The installation of the GRI Current Controller must be performed by a licensed Electrician.

**CAUTION:** Remove branch power before installing CC-01.

Run light fixture wires from the light fixture to the electrical junction box. Run electrical wires from branch circuit to the electrical junction box. Connect the white zip wire from CC-01 to the door switch wires using the supplied blue wire connectors. Connect the red wire from CC-01 to the hot wire of the light fixture. The other light fixture wire is connected to neutral using the supplied wire connectors. Connect the black wire from CC-01 to the electrical hot wire from the AC branch using the supplied yellow wire connectors. After all the connections have been made, the CC-01 can be placed into the electrical junction box. Secure the box lid and reapply power to the branch circuit.

## WIRE DIAGRAM



## WARRANTY:

One year warranty against workmanship, material and factory defects

GEORGE RISK INDUSTRIES, INC.  
G.R.I. PLAZA  
KIMBALL, NE 69145

