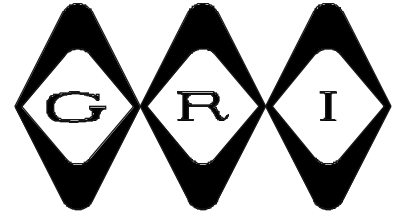
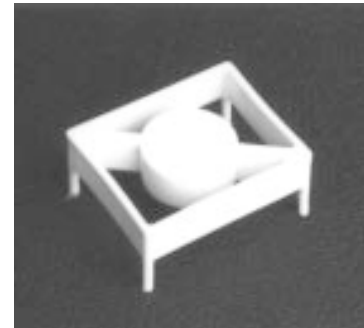
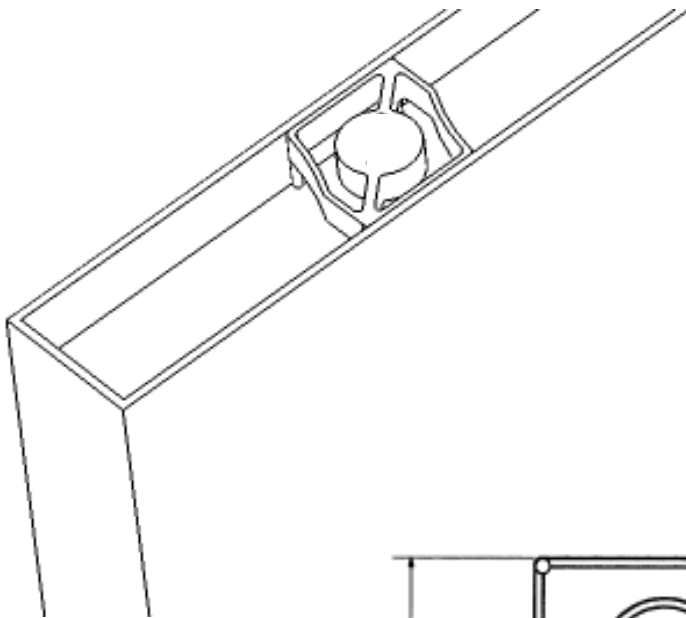



# DOOR CHANNEL MAGNET

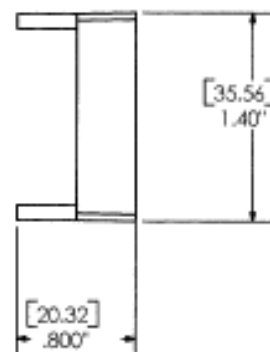
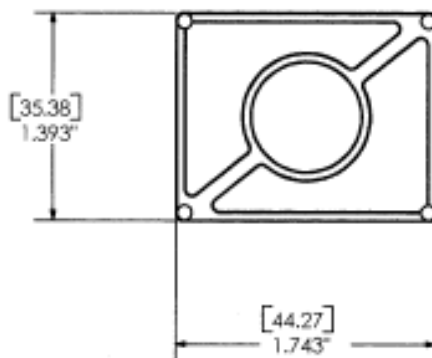


## MC-180

- ◆ The MC-180 is designed to be mounted in the top channel of a metal entry/exit door.
- ◆ Legs of the magnet case can be clipped to accommodate a more shallow channel.



MC-180 



### WARRANTY:

Lifetime warranty against workmanship, material and factory defects.

GEORGE RISK INDUSTRIES, INC.  
G.R.I. PLAZA  
KIMBALL, NE 69145



MADE IN U.S.A.