



GLASS GUARD CLOSED LOOP

On The Glass Shock Sensor

- ◆ Low Profile
- ◆ Mounts Directly On Glass
- ◆ Hermetically Sealed
- ◆ Non-Latching
- ◆ Non-Polarity Sensitive
- ◆ Security Panel Operations Only
- ◆ Extreme UV Resistant Tape
- ◆ White or Brown



GB-550

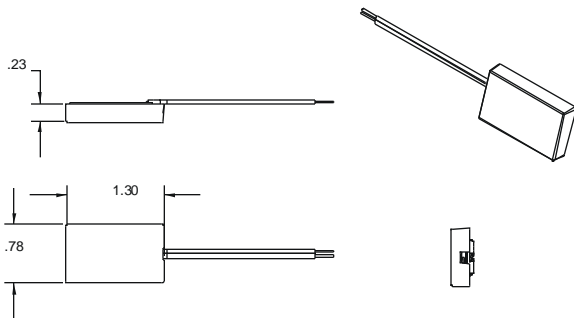
When glass breaks and/or shatters, shock waves are sent in a multitude of directions. The GRI glass break sensor is designed to detect those shock waves. The sensor is sensitive to shock waves from the glass it is attached to while ignoring the rumbling of vehicle traffic, noisy airplanes or nearby train crossings. The GB-550 covers both small and large windows, both narrow and wide. This device will detect shock waves of shattering glass on a radius measuring approximately 10' from the GB-550. The petite size and elegance of the device makes it simple to install with double faced 3M UV resistant tape.

Instructions for Installation of Glass Guard:

Mount the Glass Guard near a corner of the window, preferably 1 1/2" to 2" from the corner. The Glass Guard will monitor a window that is 10' diagonally measured.

The Glass Guard is powered from the alarm system control panel. The Glass Guard has two 24" wires. Attach one wire to the positive side of the zone from the control panel. Attach the other wire to the negative side of the zone from the control panel.

Tape application: To apply the tape to glass, make sure the surface of the glass is thoroughly cleaned with denatured alcohol or a similar IPA/water mixture. Wipe the glass surface, let it dry completely and then apply the tape/Glass Guard to the cleaned glass. **WARNING!!!** This is a powerful adhesive tape. Be very careful where you stick the tape. There won't be a second chance.



PART NUMBERS: GB-550 and GB-550-B

GB-550 GLASS GUARD ELECTRICAL SPECIFICATIONS

Voltage: 10 Volts DC Max
 Switching Current: 14 mA
 On Resistance: 85 Ohm Max

Important Note: The loop response must be programmed for a fast response (under 40 ms)

Intended for Security Panel Operations ONLY!

WARRANTY:

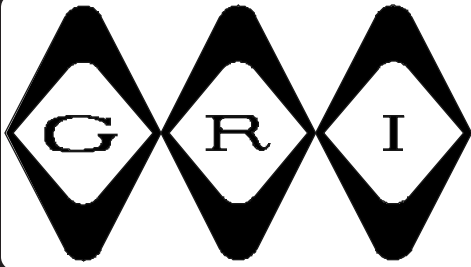
One year warranty against workmanship, material and factory defects

GEORGERISKINDUSTRIES, INC.
 GRI PLAZA
 KIMBALL, NE 69145



MADE IN U.S.A.

TOLL-FREE 1-800-445-5218 • 1-800-523-1227
 (308) 235-4645 • FAX (308) 235-3561
 E-MAIL: grisaless@megavision.com
 WEB SITE: www.grisk.com



GLASS GUARD OPEN LOOP

On The Glass Shock Sensor

- ◆ Low Profile
- ◆ Mounts Directly On Glass
- ◆ Hermetically Sealed ◆ Latching
- ◆ Security Panel Operations Only
- ◆ Reverse Polarity Protected
- ◆ Extreme UV Resistant Tape



GB-551

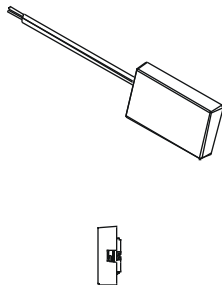
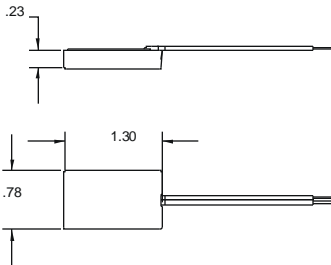
When glass breaks and/or shatters, shock waves are sent in a multitude of directions. The GRI glass break sensor is designed to detect those shock waves. The sensor is sensitive to shock waves from the glass it is attached to while ignoring the rumbling of vehicle traffic, noisy airplanes or nearby train crossings. The GB-551 covers both small and large windows, both narrow and wide. This device will detect shock waves of shattering glass on a radius measuring approximately 10' from the GB-551. Power for the device comes from the alarm panel zone power. The glass break sensor will latch on alarm and is reset by interrupting power momentarily. The petite size and elegance of the device makes it simple to install with double faced 3M UV resistant tape.

Instructions for Installation of Glass Guard:

Mount the Glass Guard near a corner of the window, preferably 1 1/2" to 2" from the corner. The Glass Guard will monitor a window that is 10' diagonally measured.

The Glass Guard is powered from the alarm system control panel. The Glass Guard has two wires, one is gold colored and the other is silver colored. **IMPORTANT:** Attach the gold colored wire to the positive side of the zone from the control panel. Attach the silver colored wire to the negative side of the zone from the control panel.

Tape application: To apply the tape to glass, make sure the surface of the glass is thoroughly cleaned with denatured alcohol or a similar IPA/water mixture. Wipe the glass surface, let it dry completely and then apply the tape/Glass Guard to the cleaned glass. **WARNING!!!** This is a powerful adhesive tape. Be very careful where you stick the tape. There won't be a second chance.



GB-551 GLASS GUARD ELECTRICAL SPECIFICATIONS

Voltage:	3 - 24 Volts DC
Switching Current:	14 mA
On Resistance:	470 Ohm
Off Resistance:	1 Megaohm
Power Consumption:	On - 2 Milliwatts Max at 24 VDC Off - 0 Milliwatts Minimum
Gold Wire Positive/Silver Wire Negative. Reverse Polarity Protected	
Intended for Security Panel Operations ONLY!	

WARRANTY:

One year warranty against workmanship, material and factory defects

GEORGERISK INDUSTRIES, INC.
GRI PLAZA
KIMBALL, NE 69145

BA-211 Rev D 11/21/07



MADE IN U.S.A.

TOLL-FREE 1-800-445-5218 • 1-800-523-1227
(308) 235-4645 • FAX (308) 235-3561
E-MAIL: grisales@megavision.com
WEB SITE: www.grisk.com