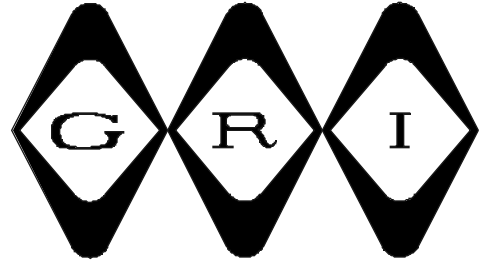


# RECESSED 1/2" SHORT SWITCH SET



## 150RS SERIES

- ◆ 12" #22AWG Leads or Screw Terminals
- ◆ Designed For Hollow Core Doors & Windows
  - ◆ Hole Size Allows For Extra Wire, etc.
    - ◆ 1/2" + Standard Gap
  - ◆ Installs Firmly In Wood, Vinyl And Aluminum
- ◆ Recessed Magnetic Contact ◆ Press or Snap Fit
- ◆ Longer Leads, Zip Cord or Jacketed Cable Upon Request
- ◆ Hermetically Sealed ◆ Plated Contacts Resist Sticking or Freezing
  - ◆ Built-in E.O.L. Resistors and Diodes Upon Request
    - ◆ Supervisory Loops Upon Request
  - ◆ Switches and Magnets Available Separately
  - ◆ Color: White & Brown ◆ Lifetime Warranty



150RS-12



150RS-T



### PART NUMBERS

Standard Gap 1/2"  
Wide Gap 3/4"  
Standard Gap 1/2"  
Wide Gap 3/4"  
Standard Gap 1/2"  
Wide Gap 3/4"  
Standard Gap 1/2"

**Closed Loop**  
150RS-12  
150RS-12WG  
150RS-T  
150RS-TWG  
N150RS-12  
N150RS-12WG  
N150RS-T

GEORGE RISK INDUSTRIES, INC.  
G.R.I. PLAZA  
KIMBALL, NE 69145



MADE IN U.S.A.

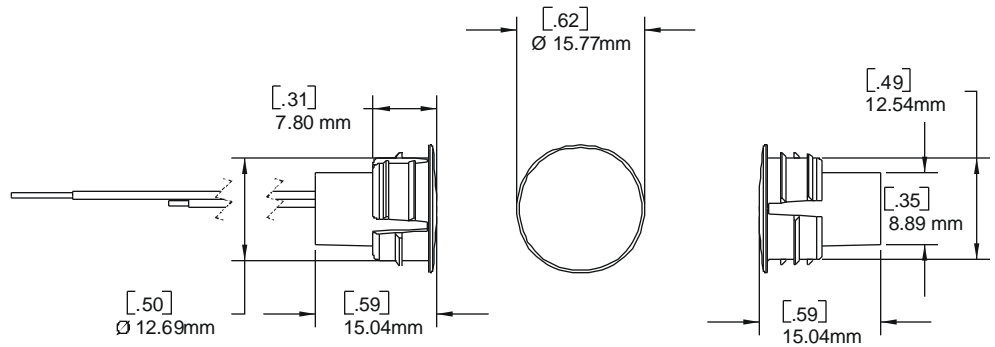
TOLL-FREE 1-800-445-5218  
TOLL-FREE 1-800-523-1227  
(308) 235-4645 • FAX (308) 235-3561  
E-MAIL: [grisales@megavision.com](mailto:grisales@megavision.com)  
WEB SITE: [www.grisk.com](http://www.grisk.com)



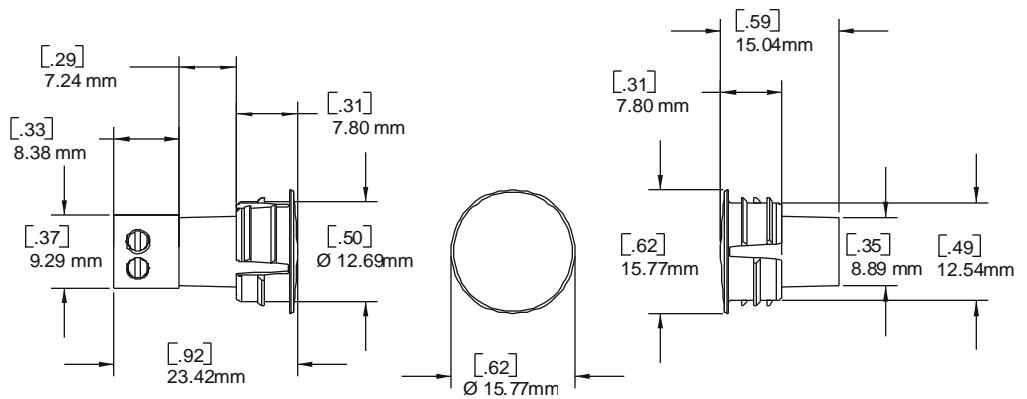
# RECESSED 1/2" SHORT SWITCH SET

Larger than 3/8" but smaller than 3/4", the GRI 150RS Series is a one-half inch diameter, flush mount contact. This 1/2" diameter design allows additional "working room" for extra wire, E.O.L. resistors, etc. Manufactured from a special polyvinyl material, the unique collar design will "press-fit" into hollow core aluminum or vinyl clad windows with a "snap-in" fit. The 150RS can be ordered with 12" leads or screw terminals.

The G.R.I. 150RS is paired with a matching 1/2" magnet case to offer the installer a 1/2" + gap. The 150RS switches can also be paired with any of the wide selection of G.R.I. magnets to help resolve difficult installation applications, including our MF-875. Patent Pending.



150RS-12



150RS-T

## GRI products meet or exceed these minimum general specifications:

PART NUMBER	LOOP TYPE	SWITCH ELECTRICAL CONFIG.	REED FORM	MAXIMUM INITIAL CONTACT RESISTANCE (Ω)	MAXIMUM CONTACT RATING (W)	MAXIMUM SWITCHING VOLTAGE (VDC/VAC)	MAXIMUM SWITCHING CURRENT (A)
150RS-12	CLOSED	N/O	A	.150	10	200/140	.500
150RS-12WG	CLOSED	N/O	A	.150	10	200/140	.500
150RS-T	CLOSED	N/O	A	.150	10	200/140	.500
150RS-TWG	CLOSED	N/O	A	.150	10	200/140	.500
N150RS-12	CLOSED	N/O	A	.150	10	200/140	.500
N150RS-12WG	CLOSED	N/O	A	.150	10	200/140	.500
N150RS-T	CLOSED	N/O	A	.150	10	200/140	.500

## WARRANTY:

Lifetime warranty against workmanship, material and factory defects

## Contact your GRI Distributor or call:

GEORGERISK INDUSTRIES, INC.  
GRI PLAZA  
KIMBALL, NE 69145



MADE IN U.S.A.

TOLL-FREE 1-800-445-5218  
TOLL-FREE 1-800-523-1227  
(308) 235-4645 • FAX (308) 235-3561  
E-MAIL: grisales@megavision.com  
WEB SITE: www.grisk.com