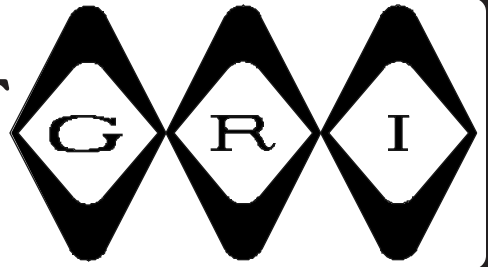
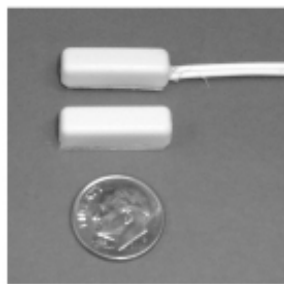


MICRO SURFACE MOUNT SWITCH SET



500 SERIES

- ◆ Ideal For Residential Applications and Areas With Limited Space
 - ◆ Surface Mount Magnetic Contact
 - ◆ 12" #26AWG Leads
 - ◆ Longer Leads Upon Request
 - ◆ Plated Contacts Resist Sticking or Freezing
 - ◆ 3M Double Sided Tape Attached
- ◆ Switches and Magnets Available Separately
 - ◆ Colors: White, Brown
 - ◆ Lifetime Warranty



500



502

PART NUMBERS:

	Closed Loop		Open Loop	
Standard Gap 1/4" +	500	End Lead	501	
	502	Side Lead	503	

GEORGERISK INDUSTRIES, INC.
GR.I. PLAZA
KIMBALL, NE 69145



MADE IN U.S.A.

TOLL-FREE 1-800-445-5218
TOLL-FREE 1-800-523-1227
(308) 235-4645

FAX (308) 235-3561

E-MAIL: grisales@megavision.com

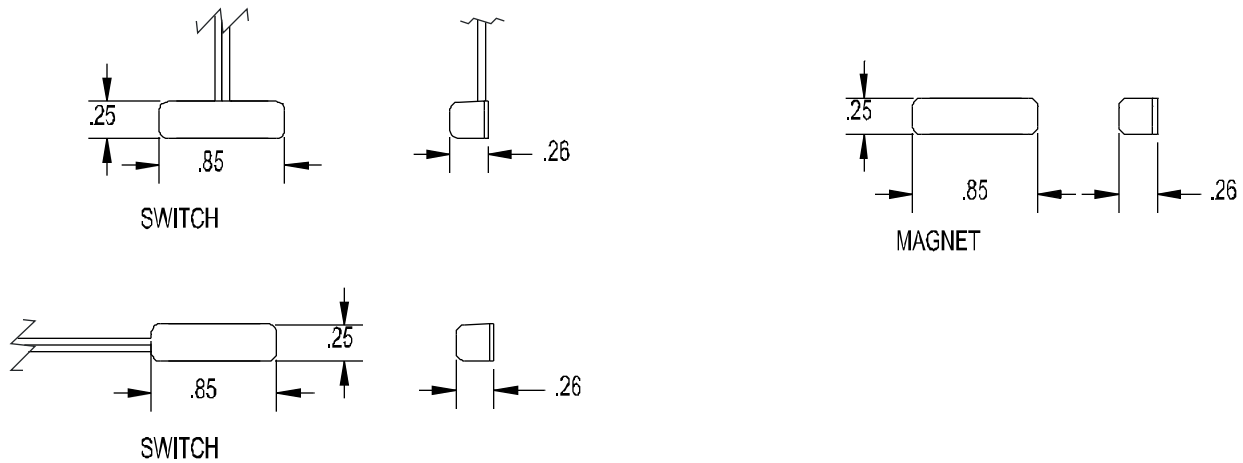
WEB SITE: www.grisk.com



MICRO SURFACE MOUNT SWITCH SET

INSTALLATION APPLICATIONS:

The Micro 500 switch is aimed at residential applications where aesthetics and small size play a large consideration in the switch choice. It offers the installer alternative wire configurations, end or side leads, flying leads or zip cord and a choice of wire lengths. All help to make installations and connections quick and easy, saving you time and money. Available in regular gap of 1/4" +. The flexibility of its small overall size allow it to become part of the existing decor. It can be mounted and hidden, for example, in the track of a sliding door or crank out window. Offered in white or brown, with 3M double sided tape attached. Also available as switch only or magnet only.



500

GRI products meet or exceed these minimum general specifications:

PART NUMBER	LOOP TYPE	ELECTRICAL CONFIG.	REED FORM	MAXIMUM INITIAL CONTACT RESISTANCE (Ω)	MAXIMUM CONTACT RATING (W)	MAXIMUM SWITCHING VOLTAGE (VDC/VAC)	MAXIMUM SWITCHING CURRENT (A)
500	CLOSED	N/O	A	.150	10	200/140	.500
502	CLOSED	N/O	A	.150	10	200/140	.500
501	OPEN	N/C	B	.140	5	175VDC	.250
503	OPEN	N/C	B	.140	5	175VDC	.250

WARRANTY:

Lifetime warranty against workmanship, material and factory defects.

CONTACT YOUR G.R.I. DISTRIBUTOR OR CALL:

GEORGERISK INDUSTRIES, INC.
GRI PLAZA
KIMBALL, NE 69145



MADE IN U.S.A.

TOLL-FREE 1-800-445-5218

TOLL-FREE 1-800-523-1227

(308) 235-4645

FAX (308) 235-3561

E-MAIL: grisales@megavision.com

WEB SITE: www.grisk.com