

# RECESSED 3/4" SWITCH SET



## 120T-12/4473 SERIES

**3/4" Switch, 3/8" Magnet For Wooden or Aluminum Door & Windows**

- ◆ Recessed Magnetic Contact
- ◆ Press To Fit
- ◆ 12" #22AWG Leads or Screw Terminals
- ◆ Longer Leads, Zip Cord or Jacketed Cable Upon Request
- ◆ Hermetically Sealed
- ◆ Plated Contacts Resist Sticking or Freezing
- ◆ Built-in E.O.L. Resistors and Diodes Upon Request
- ◆ Supervisory Loops Upon Request
- ◆ Switches and Magnets Available Separately
- ◆ Colors: White, Brown, Gray, Black
- ◆ Lifetime Warranty



MM-9RS

120T-12



MM-9RS

4473

### PART NUMBERS

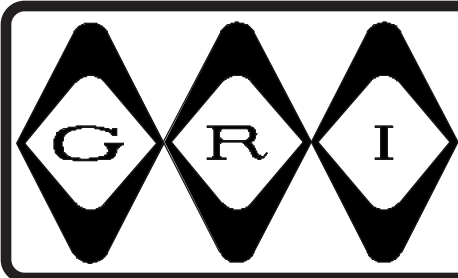
	<b>Closed Loop</b>	<b>Open Loop</b>	<b>SPDT</b>
Standard Gap 1/2" +	120T-12 4473	130T-12	140T-12
Wide Gap 3/4" +	120T-12WG	130T-12WG	140T-12WG
Extra Wide Gap 1 1/2" +	120T-12XWG	130T-12XWG	140T-12XWG

GEORGE RISK INDUSTRIES, INC.  
G.R.I. PLAZA  
KIMBALL, NE 69145



MADE IN U.S.A.

TOLL-FREE 1-800-445-5218  
TOLL-FREE 1-800-523-1227  
(308) 235-4645  
FAX (308) 235-3561  
E-MAIL: [grisales@megavision.com](mailto:grisales@megavision.com)  
WEB SITE: [www.grisk.com](http://www.grisk.com)



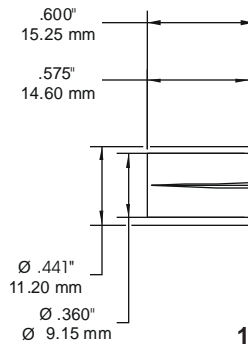
# RECESSED 3/4" SWITCH SET

## INSTALLATION INSTRUCTIONS:

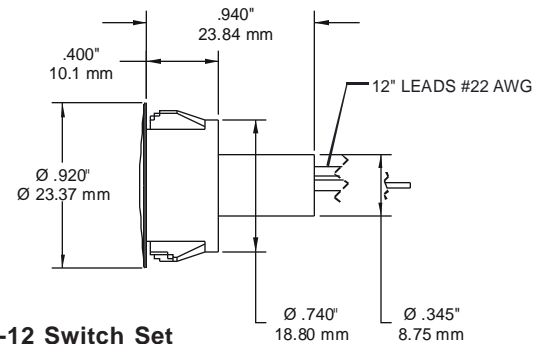
The 120T-12/4473 requires that a 3/4" hole be drilled for the switch and a 3/8" hole for the magnet. The 3/4" switch mounting is desirable since the extra wire and connections can be more easily inserted into the larger hole for concealment. Also, should the need arise for testing or replacement, it would be easy to pull the switch, extend the extra wire and access the original connections.

Installation is further enhanced by using a smaller 3/8" diameter magnet to avoid the need to center a larger hole in a 1" to 1 1/2" thick door or window. This will allow you to offset the magnet should it be required.

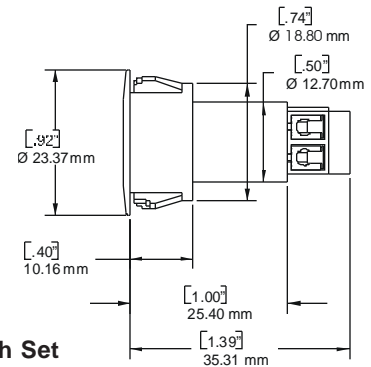
The 120T-12/4473 switch set was developed for and should only be used in openings with wooden or aluminum frames.



120T-12 Switch Set



4473 Switch Set



## GRI products meet or exceed these minimum general specifications:

PART NUMBER	LOOP TYPE	SWITCH ELECTRICAL CONFIG.	REED FORM	MAXIMUM INITIAL CONTACT RESISTANCE (Ω)	MAXIMUM CONTACT RATING (W)	MAXIMUM SWITCHING VOLTAGE (VDC/VAC)	MAXIMUM SWITCHING CURRENT (A)
120T-12	Closed	N/O	A	.150	10	200/140	.500
120T-12WG	Closed	N/O	A	.150	10	200/140	.400
120T-12XWG	Closed	N/O	A	.150	10	160/110	.400
4473	Closed	N/O	A	.150	10	200/140	.500
130T-12	Open	N/C	B	.140	5	175VDC	.250
130T-12WG	Open	N/C	B	.140	5	175VDC	.250
130T-12XWG	Open	N/C	B	.140	5	175VDC	.250
140T-12	Open/Closed	SPDT	C	.140	5	175VDC	.250
140T-12WG	Open/Closed	SPDT	C	.140	5	175VDC	.250
140T-12XWG	Open/Closed	SPDT	C	.140	5	175VDC	.250

## WARRANTY:

Lifetime warranty against workmanship, material and factory defects

## Contact your GRI Distributor or call:

GEORGE RISK INDUSTRIES, INC.  
G.R.I. PLAZA  
KIMBALL, NE 69145



MADE IN U.S.A.

TOLL-FREE 1-800-445-5218  
TOLL-FREE 1-800-523-1227  
(308) 235-4645  
FAX (308) 235-3561

E-MAIL: [grisales@megavision.com](mailto:grisales@megavision.com)  
WEB SITE: [www.grisk.com](http://www.grisk.com)