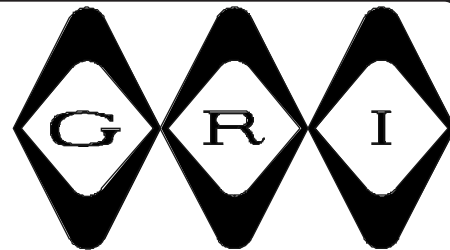
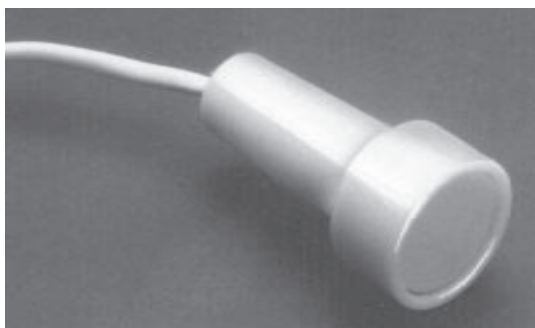


# PANIC SWITCH CALL BUTTON



## CB-20 SERIES

- ◆ Nurse Call For Medical Facilities
- ◆ Panic Switch For The Elderly
- ◆ Mechanical Type Call Button
- ◆ Momentary Or Push On/Push Off Latching Action
  - ◆ Button Legend Engraving Available
  - ◆ Supervisory Loops Available Upon Request
- ◆ 10' Two conductor #22AWG Vinyl Jacketed Lead Standard
- ◆ Optional 10' Two Conductor #18AWG Heavy Duty Jacketed Lead



### PART NUMBERS

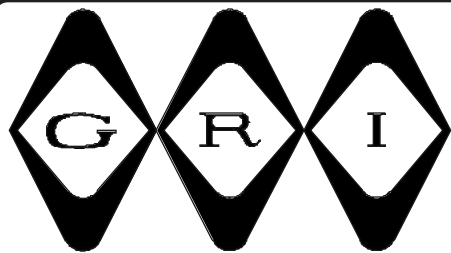
	<b>Open Loop</b>
Momentary Action	CB-20
	CB-20HD
Push On/Push Off	CBL-20
Latching Action	CBL-20HD

GEORGE RISK INDUSTRIES, INC.  
G.R.I. PLAZA  
KIMBALL, NE 69145



MADE IN U.S.A.

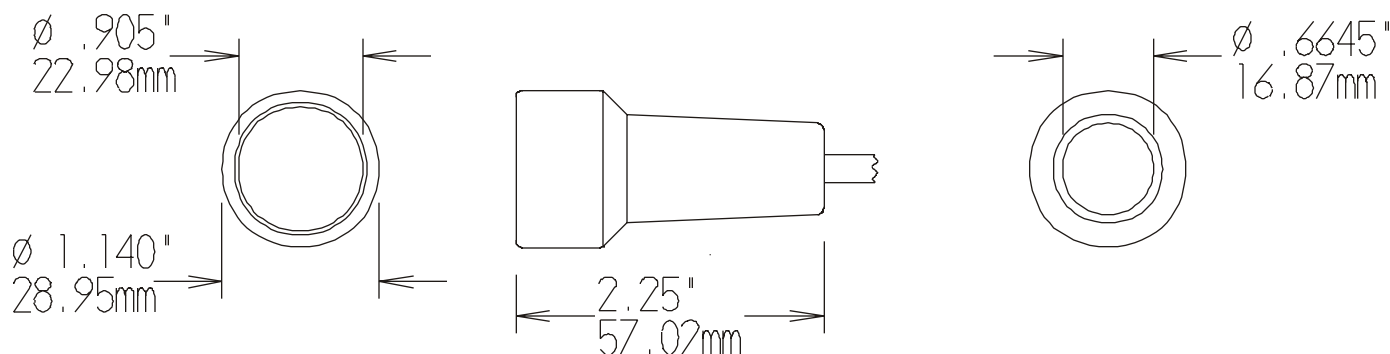
TOLL-FREE 1-800-445-5218  
TOLL-FREE 1-800-523-1227  
(308) 235-4645  
FAX (308) 235-3561  
E-MAIL: [grisales@megavision.com](mailto:grisales@megavision.com)  
WEB SITE: [www.grisk.com](http://www.grisk.com)



# PANIC SWITCH CALL BUTTON

## INSTALLATION APPLICATIONS:

Ideal for any situation, the GRI CB-20 is a hand held, mechanical Call Button, designed for use in medical facilities such as Hospitals, Assisted Living and Nursing Homes to alert the staff to emergency situations with residents. They are also designed for use in residential bedrooms, baths, workrooms and other areas where some type of annunciation may be required, particularly where elderly persons' health needs are a concern. This Momentary or Latching Call Button has ten feet of #22AWG, standard 2 conductor or optional #18AWG, heavy-duty jacketed cable for more commercial type usage. The CB-20 can be mounted into a wall plate at installation or hooked onto a wall for easy access. The button can be engraved per your request: Emergency, Help or Panic for example.



## Minimum General Specifications:

PART NUMBER	LOOP TYPE	ELECTRICAL CONFIG.	REED FORM	MAXIMUM INITIAL CONTACT RESISTANCE (Ω)	MAXIMUM SWITCHING VOLTAGE (VDC/VAC)	MAXIMUM SWITCHING CURRENT (A)
CB-20	Open	SPST N/O	Momentary	.100	12	.100
CBL-20	Open	SPST N/O	Alternate Action	.100	12	.100
CB-20HD	Open	SPST N/O	Momentary	.100	12	.100
CBL-20HD	Open	SPST N/O	Alternate Action	.100	12	.100

## WARRANTY:

Lifetime warranty against workmanship, material and factory defects.

**CONTACT YOUR G.R.I. DISTRIBUTOR OR CALL:**

GEORGE RISK INDUSTRIES, INC.  
GRI PLAZA  
KIMBALL, NE 69145



MADE IN U.S.A.

TOLL-FREE 1-800-445-5218  
TOLL-FREE 1-800-523-1227  
(308) 235-4645  
FAX (308) 235-3561

E-MAIL: [grisales@megavision.com](mailto:grisales@megavision.com)  
WEB SITE: [www.grisk.com](http://www.grisk.com)