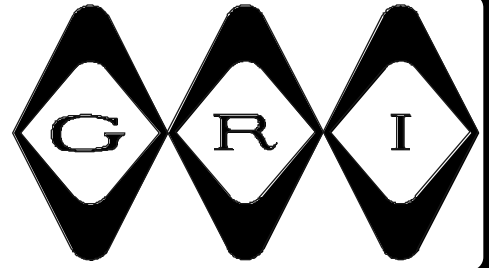


MINIATURE 1/4" RECESSED SWITCH SET



50R & 50RF SERIES

- ◆ Ideally Suited For Residential and Light Commercial Applications
Where Aesthetics Are A Requirement
- ◆ Recessed Magnetic Contact ◆ Press To Fit or Flanged Styles
 - ◆ 12" #22 AWG Leads
- ◆ Longer Leads, Zip Cord or Jacketed Cable Upon Request
- ◆ Hermetically Sealed ◆ Plated Contacts Resist Sticking or Freezing
 - ◆ Built-in E.O.L. Resistors In Some Models Upon Request
 - ◆ Supervisory Loops In Some Models
 - ◆ Switches and Magnets Available Separately
- ◆ Colors: White, Brown, Gray ◆ Lifetime Warranty



50R-12



50RF-12

PART NUMBERS:

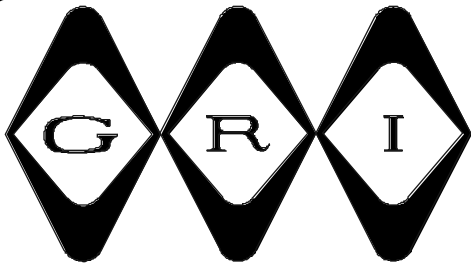
	Closed Loop	Open Loop	SPDT
Standard Gap 1/2" +	50R-12 50RF-12	60R-12 60RF-12	70R-12 70RF-12
Wide Gap 3/4" +	50R-12WG 50RF-12WG	60R-12WG 60RF-12WG	70R-12WG 70RF-12WG

GEORGE RISK INDUSTRIES, INC.
G.R.I. PLAZA
KIMBALL, NE 69145



MADE IN U.S.A.

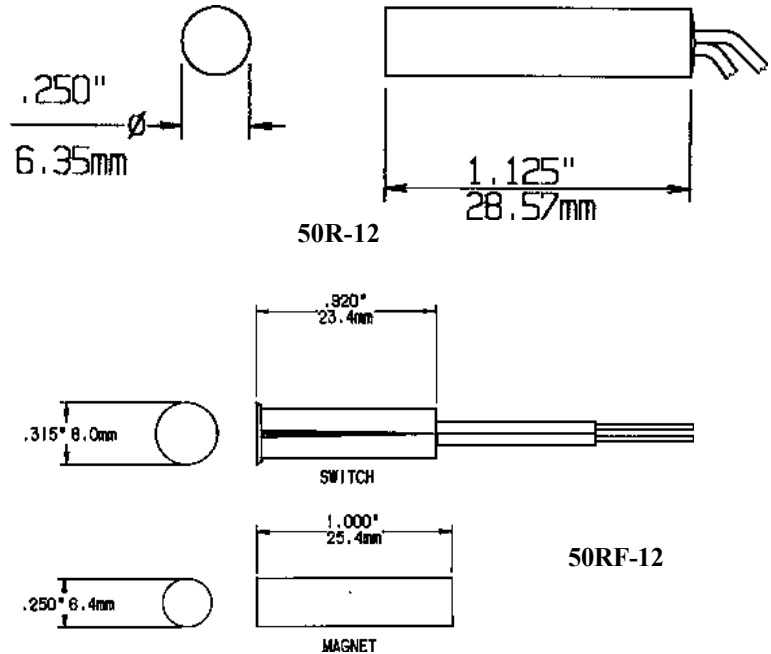
TOLL-FREE 1-800-445-5218
TOLL-FREE 1-800-523-1227
(308) 235-4645
FAX (308) 235-3561
E-MAIL: grisales@megavision.com
WEB SITE: www.grisk.com



MINIATURE 1/4" RECESSED SWITCH SET

INSTALLATION APPLICATIONS:

The 50R and 50RF series are 1/4" diameter switch sets designed for applications where a small diameter recessed switch set is required. This makes the set desirable in residential installations where no sign of an alarm system should be seen or where there is not room to install a larger diameter recessed switch set. The 50R-12 is a straight cylindrical set for flush or counter sunk installations. The 50RF-12 set is flanged to prevent inadvertent pulling of the switch into the wall.



Minimum General Specifications:

PART NUMBER	LOOP TYPE	ELECTRICAL CONFIG.	REED FORM	MAXIMUM INITIAL CONTACT RESISTANCE (Ω)	MAXIMUM CONTACT RATING (W)	MAXIMUM SWITCHING VOLTAGE (VDC/VAC)	MAXIMUM SWITCHING CURRENT (A)
50R-12	Closed	N/O	A	.150	10	200/140	.500
50R-12WG	Closed	N/O	A	.150	10	200/140	.500
50RF-12	Closed	N/O	A	.150	10	200/140	.500
50RF-12WG	Closed	N/O	A	.150	10	200/140	.500
60R-12	Open	N/C	B	.140	5	175VDC	.250
60R-12WG	Open	N/C	B	.140	5	175VDC	.250
60RF-12	Open	N/C	B	.140	5	175VDC	.250
60RF-12WG	Open	N/C	B	.140	5	175VDC	.250
70R-12	Open/Closed	SPDT	C	.140	5	175VDC	.250
70R-12WG	Open/Closed	SPDT	C	.140	5	175VDC	.250
70RF-12	Open/Closed	SPDT	C	.140	5	175VDC	.250
70RF-12WG	Open/Closed	SPDT	C	.140	5	175VDC	.250

WARRANTY:

Lifetime warranty against workmanship, material and factory defects.

CONTACT YOUR G.R.I. DISTRIBUTOR OR CALL:

GEORGE RISK INDUSTRIES, INC.
G.R.I. PLAZA
KIMBALL, NE 69145



MADE IN U.S.A.

TOLL-FREE 1-800-445-5218
TOLL-FREE 1-800-523-1227
(308) 235-4645
FAX (308) 235-3561

E-MAIL: grisales@megavision.com
WEB SITE: www.grisk.com