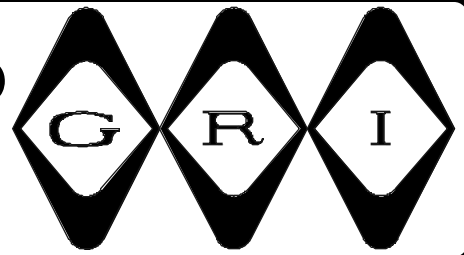
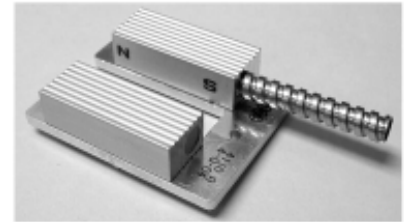


COMMERCIAL OVERHEAD DOOR SWITCH



- ◆ Latch Type Door Protection
- ◆ Vane Switch Shunt
- ◆ Cost Effective
- ◆ Easy Installation
- ◆ Armored Cable or Jacketed

4110A
2.25" x 1.75" x .55"



4482A
4.5" x 2.75" x .75"



The G.R.I. 4110 Series is basically a "vane" switch for use on storage units with overhead doors and latch type locks. Intended to be mounted on a roll up type door channel, the 4110 will not allow the alarm system to arm unless the bolt or latch, which serves as a "shunt" between the reed switch and magnet, is in a locked position. Removal or tampering of the bolt or latch removes the shunting effect and an alarm will be activated when the circuit is opened.

Installation notes: Remember, this is a switch that operates on the principles of magnetism. Things with iron will affect how the switch operates. The majority of overhead doors have iron or particles of iron in them. Non-ferrous (no iron) based spacers must be used to insulate the switch from the rail. Isolate (insulate) the 4110 at least 1/4 inch from the mounting rail, the GRI S-41 mounting bracket is suggested. Not doing so will create an unstable environment for the switch and may generate false alarms and other erratic signals. GRI 4110 is to be installed on the slotted channel (side rail) in such a way that when the door is locked, the sliding bolt will pass directly between the uprights of the switch. The locking bolt must have iron in it in order to "block" the magnetic path on the door switch.

The 4110 series is available with 18" stainless steel armored cable (4110A) or 18" jacketed cable (4110). It is a low profile, extruded aluminum switch mounted on an aluminum plate. Optional mounting kit available. All necessary mounting hardware is also provided.

For door applications with larger tracks, G.R.I. now offers a larger heavy duty vane switch. The 4482 has 36" jacketed cable and the 4482A has 36" armored cable. Overall dimensions for the 4482 are 4.5" x 2.75" x .75". Mounting plate and hardware provided.

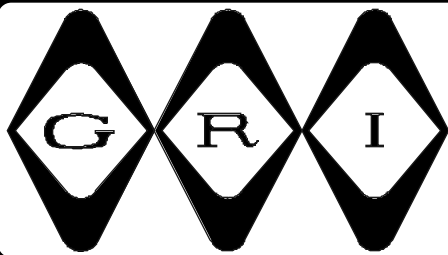
GRI products meet or exceed these minimum general specifications:

PART NUMBER	LOOP CONFIG.	ELECTRICAL CONFIG.	REED FORM	MAXIMUM INITIAL CONTACT RESISTANCE (Ω)	MAXIMUM CONTACT RATING (W)	MAXIMUM SWITCHING VOLTAGE (VDC/VAC)	MAXIMUM SWITCHING CURRENT (A)
4110	CLOSED	N/O	B	.140	5	175VDC	.250
4110A	CLOSED	N/O	B	.140	5	175VDC	.250
4112	Open/Closed	SPDT	C	.140	5	175VDC	.250
4112A	Open/Closed	SPDT	C	.140	5	175VDC	.250
4482	Open/Closed	SPDT	C	.140	5	175VDC	.250
4482A	Open/Closed	SPDT	C	.140	5	175VDC	.250

GEORGE RISK INDUSTRIES, INC.
GRI PLAZA
KIMBALL, NE 69145



TOLL-FREE 1-800-445-5218
TOLL-FREE 1-800-523-1227
(308) 235-4645
FAX (308) 235-3561
E-MAIL: grisales@megavision.com
WEB SITE: www.grisk.com



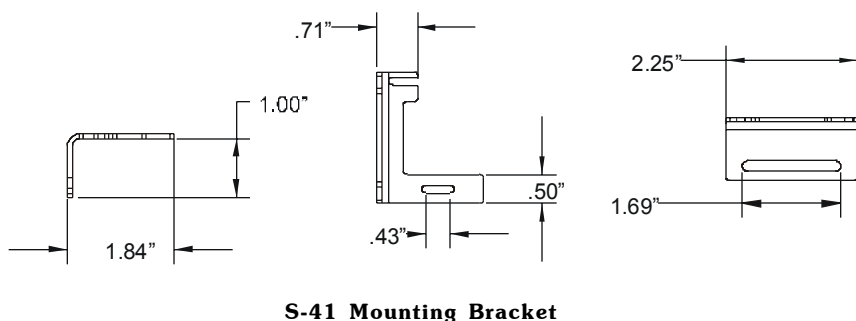
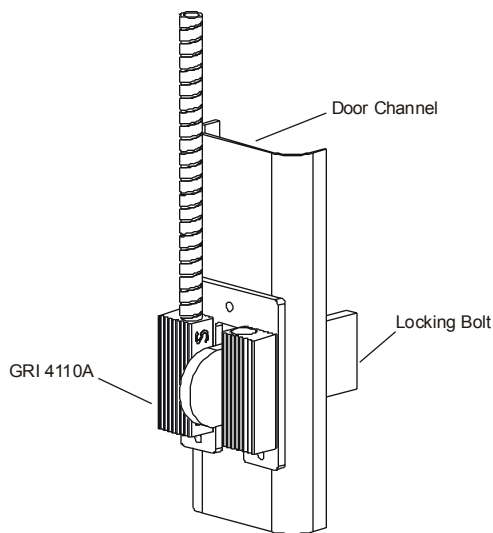
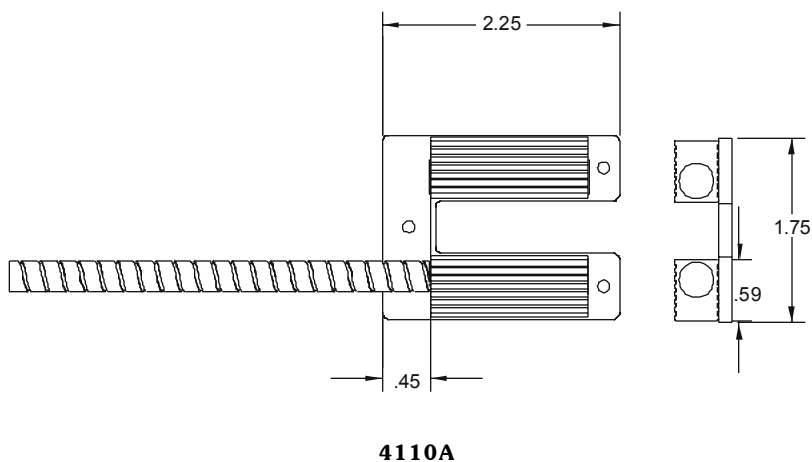
COMMERCIAL OVERHEAD DOOR SWITCH

Installation Notes:

Now you can confirm the locking bolt position on a roll up or other overhead door. The GRI 4110 uses a simple magnetic blocking principal in this specialized security switch. Doors using a latching type flat bolt, which extends through a slot in the channel on the doors edge, can now both lock the door **and** verify to the alarm panel that the door is locked in the closed position.

The GRI 4110 is to be installed on the slotted channel in such a way that when the door is locked, the bolt will pass between the uprights of the switch (see illustration).

Note: Mounting screws are installed from the inside of the track and will not interfere with the wheels.



**4110-KIT
4110A-KIT
Include
S-41 Bracket
and mounting
hardware**

WARRANTY:

Lifetime warranty against workmanship, material and factory defects.

GEORGE RISK INDUSTRIES, INC.
GRI PLAZA
KIMBALL, NE 69145

