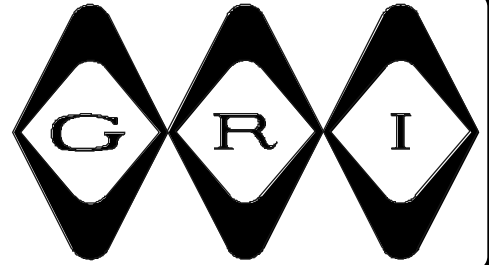


RECESSED 3/8" FLANGED SWITCH SET



20F/20 OF SERIES

- ◆ Recessed Magnetic Contact
- ◆ Round or Oval Screw Down Flange ◆ 12" Leads #22AWG Leads
 - ◆ Longer Leads, Zip Cord or Jacketed Cable Upon Request
- ◆ Hermetically Sealed ◆ Plated Contacts Resist Sticking or Freezing
 - ◆ Mounting Hardware Included
- ◆ Built-in E.O.L. Resistors and Diodes Upon Request
 - ◆ Switches and Magnets Available Separately
 - ◆ Colors: White, Brown, Gray, Black
 - ◆ Lifetime Warranty



20F-12



20OF-12

PART NUMBERS:

	Closed Loop	Open Loop	SPDT	DPDT
Standard Gap 1/2" +	20F-12 20 OF-12	30F-12 30 OF-12	40F-12 40 OF-12	45F-12 45 OF-12
Wide Gap Gap 1" +	20F-12WG 20 OF-12WG	30F-12WG 30 OF-12WG	40F-12WG 40 OF-12WG	45F-12WG 45 OF-12WG
Extra Wide Gap Gap 1 1/2" +	20F-12XWG 20 OF-12XWG	30F-12XWG 30 OF-12XWG	40F-12XWG 40 OF-12XWG	45F-12XWG 45 OF-12XWG

GEORGE RISK INDUSTRIES, INC.
GR.I. PLAZA
KIMBALL, NE 69145



MADE IN U.S.A.

TOLL-FREE 1-800-445-5218
TOLL-FREE 1-800-523-1227
(308) 235-4645

FAX (308) 235-3561

E-MAIL: grisales@megavision.com

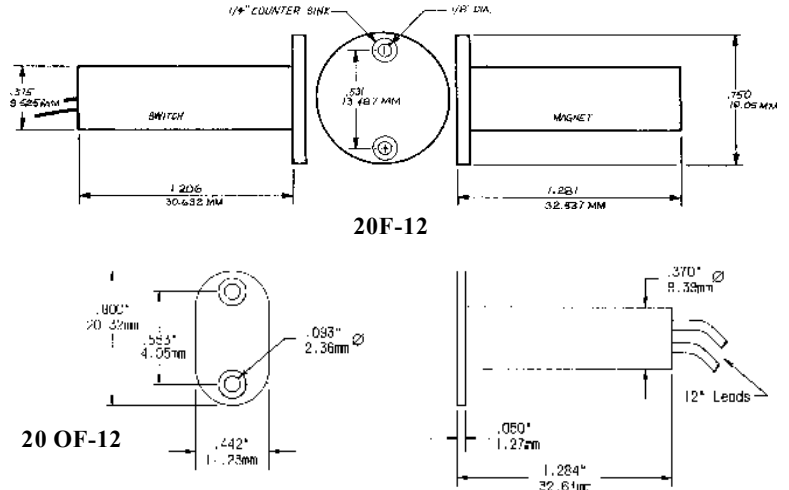
WEB SITE: www.grisk.com



RECESSED 3/8" FLANGED SWITCH SET

INSTALLATION APPLICATIONS:

The 20F and 20 OF series are a flush mount design that enable the installer to combine the security of a screw mount flanged switch with the concealment of a press fit switch. They have been used in hollow aluminum frames where inadequate material depth will not reliably retain a press fit switch and in holes that have been drilled or have somehow become slightly oversized. They are available in 1/2 inch to 1 1/2 inch gap and mounting hardware is provided.



Minimum General Specifications:

PART NUMBER	LOOP TYPE	ELECTRICAL CONFIG.	REED FORM	MAXIMUM INITIAL CONTACT RESISTANCE (Ω)	MAXIMUM CONTACT RATING (W)	MAXIMUM SWITCHING VOLTAGE (VDC/VAC)	MAXIMUM SWITCHING CURRENT (A)
20F-12	Closed	N/O	A	.150	10	200/140	.500
20F-12WG	Closed	N/O	A	.150	10	200/140	.500
20F-12XWG	Closed	N/O	A	.150	10	200/140	.500
20 OF-12	Closed	N/O	A	.150	10	200/140	.500
20 OF-12WG	Closed	N/O	A	.150	10	200/140	.500
20 OF-12XWG	Closed	N/O	A	.150	10	200/140	.500
30F-12	Open	N/C	B	.140	5	175VDC	.250
30F-12WG	Open	N/C	B	.140	5	175VDC	.250
30F-12XWG	Open	N/C	B	.140	5	175VDC	.250
30 OF-12	Open	N/C	B	.140	5	175VDC	.250
30 OF-12WG	Open	N/C	B	.140	5	175VDC	.250
30 OF-12XWG	Open	N/C	B	.140	5	175VDC	.250
40F-12	Open/Closed	SPDT	C	.140	5	175VDC	.250
40F-12WG	Open/Closed	SPDT	C	.140	5	175VDC	.250
40F-12XWG	Open/Closed	SPDT	C	.140	5	175VDC	.250
40 OF-12	Open/Closed	SPDT	C	.140	5	175VDC	.250
40 OF-12WG	Open/Closed	SPDT	C	.140	5	175VDC	.250
40 OF-12XWG	Open/Closed	SPDT	C	.140	5	175VDC	.250
45F-12	Open/Closed	DPDT	Cx2	.140	5	175VDC	.250
45F-12WG	Open/Closed	DPDT	Cx2	.140	5	175VDC	.250
45 OF-12	Open/Closed	DPDT	Cx2	.140	5	175VDC	.250
45 OF-12WG	Open/Closed	DPDT	Cx2	.140	5	175VDC	.250
45 OF-12XWG	Open/Closed	DPDT	Cx2	.140	5	175VDC	.250

WARRANTY:

Lifetime warranty against workmanship, material and factory defects.

CONTACT YOUR G.R.I. DISTRIBUTOR OR CALL:

GEORGE RISK INDUSTRIES, INC.
G.R.I. PLAZA
KIMBALL, NE 69145



MADE IN U.S.A.

TOLL-FREE 1-800-445-5218
TOLL-FREE 1-800-523-1227
(308) 235-4645
FAX (308) 235-3561

E-MAIL: grisales@megavision.com
WEB SITE: www.grisk.com